

# LT9000 Series

Table-Top Displays



- Two line by 20 character table top display with 9.5mm character height
- Proven reliability
- Bright green vacuum fluorescent display
- Better visibility due to optically matched anti-scratch lens and wider character pitch
- Automatic message scrolling, "smart scrolling," vertical scrolling and flashing messages
- Easily programmable for custom messages
- Wide choice of interfaces: USB, USB port-powered, serial, parallel and pass-through
- User-definable characters
- Support OPOS and JPOS drivers and many command sets including Epson, Partner Tech, Ultimate Technologies, IEE, EMAX, Aedex, or Noritake.
- Universal LT9800 models support a wide variety of languages including English, Spanish, German, French, and Italian
- Available in beige and dark grey, 120V and 220V

## The Market Leader

Logic Controls customer displays are widely known as the market leaders for PC-based POS systems. They have long set the standard for reliability, value and functionality – reasons why most end users and value-added resellers ask for Logic Controls customer displays by name.

## Supports Almost Any Command Set Or Language

The LT9800 universal table top display provides support for almost any command set or language. The unit supports the Logic Controls command sets and OPOS and JPOS drivers, but it can also be programmed to support command set from Epson, Partner Tech, Ultimate Technologies, IEE, EMAX, Aedex, or Noritake. In addition, updated or new command sets can be downloaded into the display at any time after the purchase. Many different languages are also supported - from common languages like English, Spanish, German and French to less common languages like Norwegian and Slavonic. Importantly, these command sets and languages are selected through a software interface. The use of dip switches or other hardware-based selection mechanisms, which inherently decrease the reliability of the hardware but are still used by our competitors, is avoided.

## Advanced Functionality and Value

The LT9000 comes with much functionality that simply is not found in other vendors' customer displays. "Smart scrolling," user-definable characters, and a built-in real-time clock are all standard features of the unit's firmware. The LT9000 is also more visible than its competitors due to a special scratch-resistant lens that has a color optically matched to the light emitted from the vacuum fluorescent display. Like all Logic Controls customer display models, the LT9000 also provides comprehensive and innovative support of different interfaces. Logic Controls was the first to offer port-powered customer displays that use a standard USB port. Models with serial, USB, USB port-powered, parallel and serial or parallel pass-thru interfaces are available.

# LT9000 TABLE-TOP DISPLAY SPECIFICATIONS

## OPTICAL ( FLUORESCENT DISPLAY )

|                     |                   |
|---------------------|-------------------|
| Number of rows      | 2                 |
| Digits per row      | 20                |
| Digit Configuration | 5x7 Dot Matrix    |
| Digit Height        | 0.37 in. (9.5mm)  |
| Digit Width         | 0.24 in. (6.2mm)  |
| Digit Pitch         | 0.30 in. (7.7mm)  |
| Character Config.   | ASCII             |
| Brightness          | 900 cd/m2 Typical |
| Display Color       | Blue-green        |
| MTBF                | 300,000 hours     |

## ELECTRICAL

|               |               |
|---------------|---------------|
| Power Adapter |               |
| Input Power   | 120VAC, 60 HZ |
| Optional      | 220VAC, 50 HZ |
| Output Power  | 7.5VAC, 1A    |

## CABLING

|                 |   |
|-----------------|---|
| Interface Cable |   |
| Computer side   | DB9 female standard<br>DB25 female optional |
| Display side    | DB9 male                                    |

## ENVIRONMENTAL

|                          |                            |
|--------------------------|----------------------------|
| Operating Temperature    | 0 to +50 °C                |
| Storage Temperature      | -20 to +70 °C              |
| Relative Humidity        |                            |
| Operating                | 85% max.<br>non-condensing |
| Non-operating            | 90% max.<br>non-condensing |
| Vibration (10 to 55 Hz.) | 4G's                       |
| Shock                    | 40G's                      |

## INTERFACE

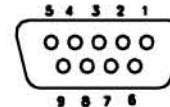
|           |  |
|-----------|--|
| Serial    | RS232C                                 |
| Protocol  |  |
| Baud Rate | 600, 1200, 2400, 4800,<br>9600*,19,200 |
| Data Bits | 8                                      |
| Parity    | NONE                                   |
| Stop Bits | 1                                      |
| USB       | Optional Interface                     |

\* Default preset at factory

## MECHANICAL

|                          |           |
|--------------------------|-----------|
| Weight                   | 1.20 lbs. |
| with adapter             | 1.85 lbs. |
| Dimensions ( in inches ) |           |
| Width                    | 8.90      |
| Depth                    | 4.12      |
| Height                   | 4.10      |

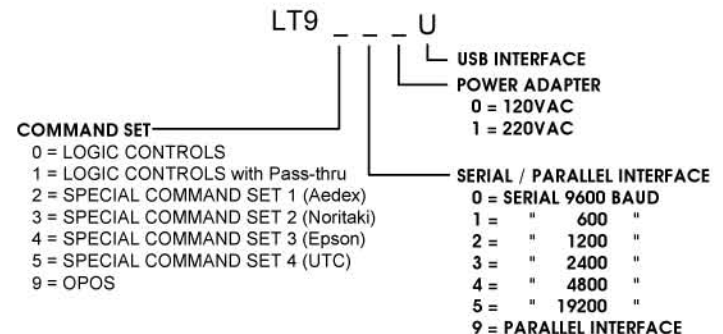
## CONNECTOR PINOUT



### DB9 F

|   |                      |
|---|----------------------|
| 1 | Tied to pins 4 and 6 |
| 2 | No connection        |
| 3 | Data                 |
| 4 | Tied to pins 1 and 6 |
| 5 | Ground               |
| 6 | Tied to pins 1 and 4 |
| 7 | Tied to pin 8        |
| 8 | Tied to pin 7        |
| 9 | No connection        |

## ORDERING INFORMATION



## GENERAL INFORMATION

- 1) Power adapter and 6 foot cable (with DB9M and DB9F connectors) supplied.
- 2) Call for list of available emulations.
- 3) All control lines are terminated in the DB9 connector. For details see "Connector Pinout" section above.